

# HR-200c Digital Camera

*2 Megapixel Color Digital Camera with High Speed Gigabit Ethernet Interface*

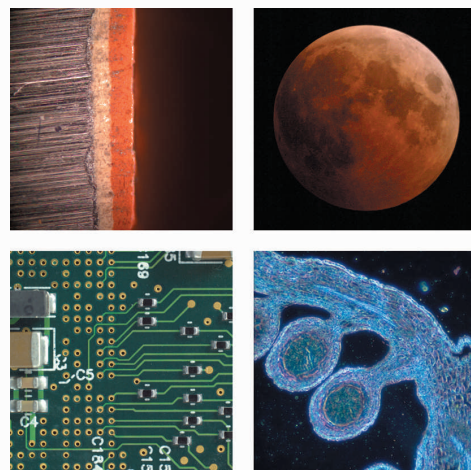


The Imaginant HR-200c is a 2 Megapixel digital camera designed for fast shutter-speed, action-stopping, image capture. The camera produces photographic quality color images required for high quality print output or detailed image analysis. With its direct Ethernet interface, the HR-200c is easy to configure, captures images rapidly and downloads fully finished, full resolution color images to your PC effortlessly.

The HR-200c camera accepts standard EF-mount lenses and includes an electrical connector for focus and aperture control. Aperture control allows exposure to be adjusted beyond that achievable using only "electronic iris" integration-time control available in most industrial CCD cameras.

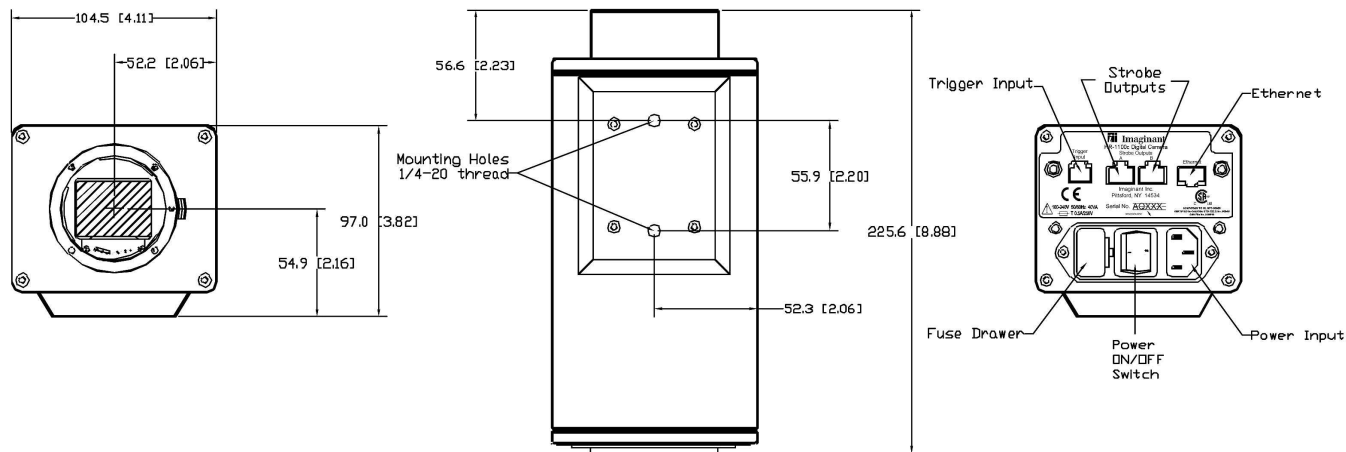
The aperture control allows the shutter-speed used for capturing images to remain constant over a wider range of ambient light levels.

This camera is ideal for applications that require color, high-resolution images quickly. Examples include: machine vision and inspection, and microscopy, medical and scientific imaging.



 **Imaginant**

# HR-200c Digital Camera Specifications



## Imager

Sensor Type	Kodak KAI-2000 interline-transfer progressive-scan CCD
Resolution – Effective Pixels	1608 x 1206 pixels
Aspect Ratio	4:3
Pixel Size	7.4 μm x 7.4 μm
Color Filter	Bayer

## Imaging Performance

Dynamic Range	60 dB minimum
Bit Depth	12 bit
ISO	125 – 800, adjustable in 1/3 stop increments

## Camera Performance

Max Frame Rate	14 fps at full resolution up to 15 images
Sustained Frame Rate	1 image every 1.2 sec.
Selectable Resolution and support for ROI	Yes
Shutter Speed	Electronic shutter, 1/10,000 -1/2 second
Exposure Control	Manual, Automatic
Focus Control	Electronically configurable though host software
Aperture Control	Electronically configurable though host software
Framing	Continuous Readout Mode

## Flash Control

Flash States	On, Off, Auto
External Trigger Inputs	2
Flash Sync outputs	6 outputs, each capable of firing up to 3 strobes, configurable as logical level outputs
Camera/Strobe Configurations	<ul style="list-style-type: none"> <li>• Single Camera – Single Strobe, Single Capture per trigger</li> <li>• Single Camera – Multiple Strobes, Multiple Captures per trigger</li> <li>• Single Camera – Single Strobe, Multiple Captures per trigger</li> <li>• Multiple Cameras – Single Strobe</li> <li>• Multiple Cameras – Multiple Strobes</li> </ul>

## Firmware

Upgrades	Downloadable
----------	--------------

## Software

Camera Control Software	Windows 98SE and above
Developers Toolkit	TCP/IP Protocol

## Data Output

Connection	Ethernet, up to and including Gigabit Ethernet. PC workstation requires an Ethernet interface card. No framegrabber required.
File formats supported	Finished JPEG, TIFF

## Power Requirements

Power Supply	100–240 VAC, 50–60 Hz
Power Consumption	15 watts

## Physical Characteristics

Lens Mount	EF-mount (Accepts Canon 35mm SLR lenses)
Weight	4.8 lbs (2.2 kg)
Dimensions	8.9" L x 4.1" W x 3.8" H (226 x 105 x 97mm)
Tripod Mount	2 standard 1/4", 20 threads/inch mounting holes

## Environmental Operating Limits

Temperature	14°-140°F (-10°-60°C)
Humidity	<95% at all times

## Regulatory Conformity

Safety	CSA
Emissions	FCC Class A
European Union Certification	CE

© 2004 Imaginant Inc., HR-200c  
 Note: Specifications are typical at 25°C  
 Specifications subject to change without notice.

