

HR-1100c Digital Camera

High Resolution 11 Megapixel Color Digital Camera with High Speed Gigabit Ethernet Interface



Originally developed for one of the most respected imaging companies in the world who required the finest image quality, the Imaginant HR-1100c Digital Camera is an ultra high-resolution color CCD camera featuring an astounding 11 million pixels. With an Ethernet interface (no framegrabber card required), set-up and operation become virtually effortless since the camera simply appears as another device on your PC or network. Costly and hard to configure framegrabbers are not required. You can operate 1-100 cameras from a single PC or operate the camera on your network from any PC with access to your network.

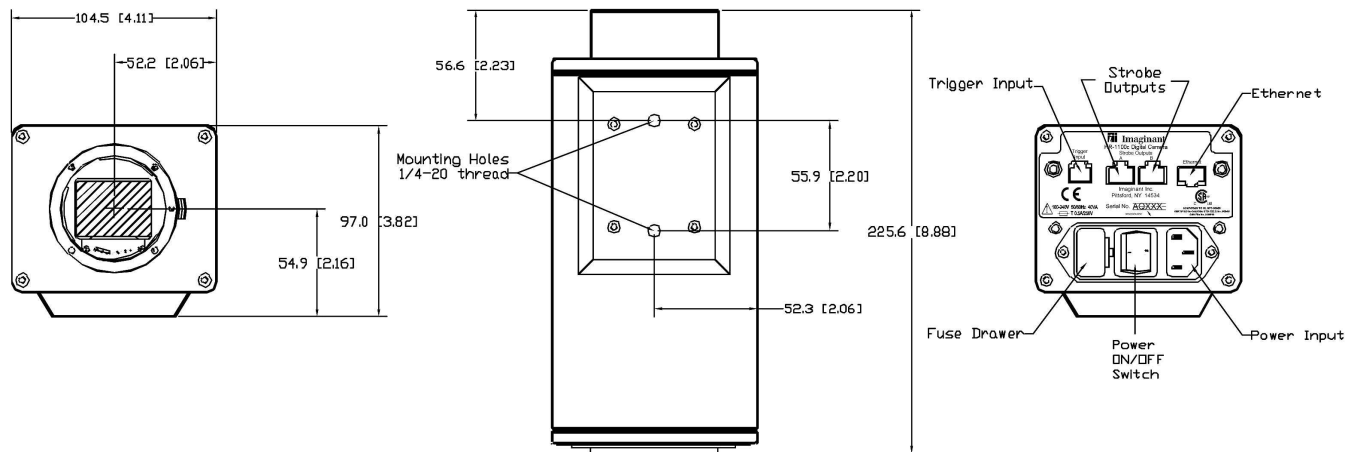
With the high speed Gigabit Ethernet interface, fully finished, full resolution color images come off the camera rapidly at 2.5 frames per second (with a sustained frame rate of 1 full resolution image every 5.5 seconds). A complete TCP/IP based camera control protocol and command set is available making the integration into your application quick and efficient, giving you virtually complete control over every camera function and setting. Technical support for integration is available by our experienced team of engineers.



This camera is ideal for applications that require color, ultra high-resolution images quickly. Examples include: microscopy, machine vision, scientific, medical and aerial imaging and surveillance applications.



HR-1100c Digital Camera Specifications



Imager

Sensor Type	Kodak KAI-11000 interline-transfer progressive-scan CCD
Resolution - Effective Pixels	4,032 x 2,686 pixels
Aspect Ratio	3:2, Full 35mm format (43mm diagonal)
Pixel Size	9 μm x 9 μm
Color Filter	Bayer

Imaging Performance

Dynamic Range	60 dB minimum
Bit Depth	12 bit
ISO	50-800

Camera Performance

Max Frame Rate	2.5 fps at full resolution up to 4 images
Sustained Frame Rate	1 image every 5.5 seconds at full resolution
Selectable Resolution and support for ROI	Yes
Shutter Speed	Electronic shutter, 1/10,000 - 1/2 second
Exposure Control	Manual, Automatic
Focus Control	Electronically configurable though host software
Aperture Control	Electronically configurable though host software
Framing	Continuous Readout Mode

Flash Control

Flash States	On, Off, Auto
External Trigger Inputs	2
Flash Sync outputs	6 outputs, each capable of firing up to 3 strobes, configurable as logical level outputs
Camera/Strobe Configurations	<ul style="list-style-type: none"> • Single Camera - Single Strobe, Single Capture per trigger • Single Camera - Multiple Strobes, Multiple Captures per trigger • Single Camera - Single Strobe, Multiple Captures per trigger • Multiple Cameras - Single Strobe • Multiple Cameras - Multiple Strobes

Firmware

Upgrades	Downloadable
----------	--------------

Software

Camera Control Software	Windows 98SE and above
Developers Toolkit	TCP/IP Protocol

Data Output

Connection	Ethernet, up to and including Gigabit Ethernet. PC workstation requires an Ethernet interface card. No framegrabber required.
File formats supported	Finished JPEG, TIFF

Power Requirements

Power Supply	100-240 VAC, 50-60 Hz
Power Consumption	15 watts

Physical Characteristics

Lens Mount	EF-mount (Accepts Canon 35mm SLR lenses)
Weight	4.8 lbs (2.2 kg)
Dimensions	8.9" L x 4.1" W x 3.8" H (226 x 105 x 97mm)
Tripod Mount	2 standard 1/4", 20 threads/inch mounting holes

Environmental Operating Limits

Temperature	14°-140°F, (-10°-60°C)
Humidity	<95% at all times

Regulatory Conformity

Safety	CSA
Emissions	FCC Class A
European Union Certification	CE

© 2004 Imaginant Inc., HR-1100c
 Note: Specifications are typical at 25°C
 Specifications subject to change without notice.

